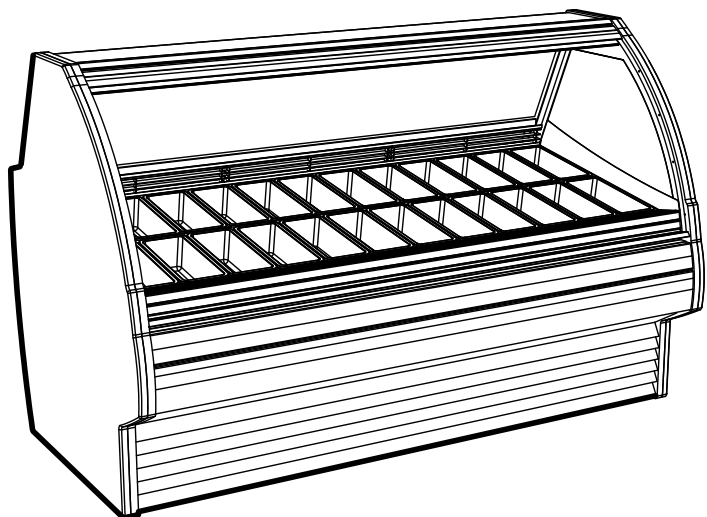


Service Refrigerated Gelato Merchandiser

G24F 84 1/2"L x 43 3/8"D x 53 3/4"H

STANDARD FEATURES

- Two 3500K T-8 top lights with protective coating.
- Lower front panel-Stainless Steel
- Integrated average product temperature of -2°F.
- Stainless rear ledge.
- Interior-Stainless Steel
- One year parts & labor warranty.
- Tempered lift-up front glass.
- Two rows of sign channel in front of pans.
- Foam-in-place insulated tub fully accessible for refrigeration service and cleaning.
- Welded steel tube frame with levelers.



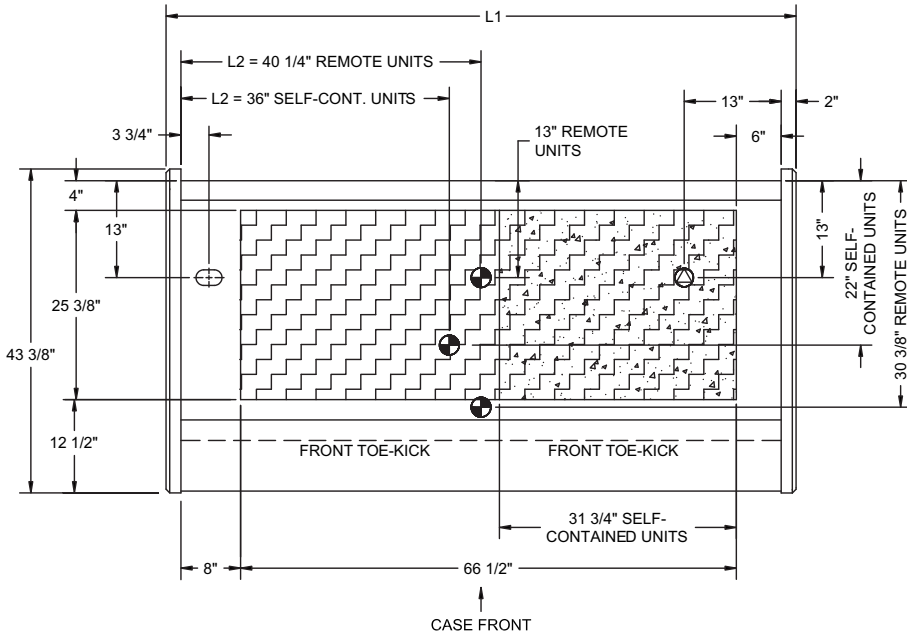
| | STANDARD SPECIFICATION | OPTION(S) |
|-------------------|---|--|
| CUSTOM OPTIONS | <input type="checkbox"/> None | <input type="checkbox"/> Custom (specify CDR #s) |
| DIPWELL | <input type="checkbox"/> None | <input type="checkbox"/> 10" Dipwell (shiploose) |
| PANS (EXTRA SET) | <input type="checkbox"/> None | <input type="checkbox"/> Gelato Stainless Steel 5 liter pans (24) <input type="checkbox"/> Stainless Steel 1/3 food-service pans (22) |
| UPPER FRONT PANEL | <input type="checkbox"/> Black | <input type="checkbox"/> Silver <input type="checkbox"/> Gold <input type="checkbox"/> Special paint colors |
| TRIM COLOR | <input type="checkbox"/> Black | <input type="checkbox"/> Silver |
| EXTERIOR COLOR | <input type="checkbox"/> Standard paint colors (end panels & top) | <input type="checkbox"/> Special Paint Colors |
| REFRIGERATION | <input type="checkbox"/> Breeze™ self contained system w/straight blade power cord. (floor drain req'd) | <input type="checkbox"/> Breeze™ self contained system w/locking power cord. (floor drain req'd) <input type="checkbox"/> Breeze™ self contained system w/evaporator pan & locking power cord. <input type="checkbox"/> Breeze™ self contained system w/evaporator pan & straight blade power cord. <input type="checkbox"/> Remote w/electrical leads (Floor drain required) |
| THERMOMETER | <input type="checkbox"/> Digital (Fahrenheit) | <input type="checkbox"/> Digital (Celsius) |
| BULBS | <input type="checkbox"/> SP35 bulbs | <input type="checkbox"/> SPX35 bulbs |
| END PANEL LEFT | <input type="checkbox"/> Full w/mirror | <input type="checkbox"/> Cutaway w/glass |
| END PANEL RIGHT | <input type="checkbox"/> Full w/mirror | <input type="checkbox"/> Cutaway w/glass |
| PANS | <input type="checkbox"/> Gelato Stainless Steel 5 liter pans (24) | <input type="checkbox"/> Stainless Steel 1/3 food-service pans (22) |
| UPPER REAR | <input type="checkbox"/> Open | <input type="checkbox"/> Night curtain, pull-down, non-locking <input type="checkbox"/> Clear glass rear sliding doors w/o lock |
| BUMPER FRONT | <input type="checkbox"/> None | <input type="checkbox"/> 1" bumper on front |
| BUMPER LEFT END | <input type="checkbox"/> None | <input type="checkbox"/> 1" bumper on customer left end |
| BUMPER RIGHT END | <input type="checkbox"/> None | <input type="checkbox"/> 1" bumper on customer right end |

ENCORE®

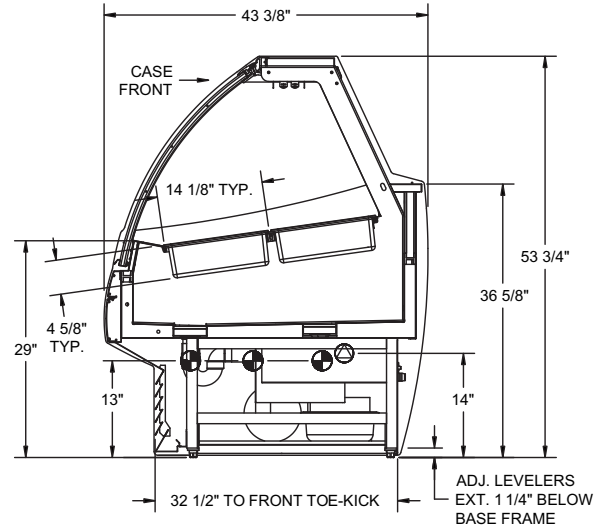
PRODUCT SPECIFICATIONS

Intended Use of Display Area: N/A
 Integrated Product Temperature (IPT): N/A
 Intended Environment: N/A

PLAN VIEW



SIDE VIEW



NOTE: ALL DIMENSIONS APPROXIMATE

- ELECTRICAL JUNCTION BOX (SUPPLIED WITH 6" LEADS OR POWER CORD).
- LOCATION OF CONDENSATE DRAIN TUBE (SUPPLIED WITH 3/4" OR 1 1/2" PVC DRAIN TUBE).
- REFRIGERATION LINE CONNECTION.
- REMOTE CASE SERVICE ACCESS AREA.
- SELF-CONTAINED CASE SERVICE ACCESS AREA.
- DRY CASE SERVICE ACCESS AREA.

| Model | Self-Contained Refrigeration/Dry | | | | | Remote Refrigeration w/Leads | | | Ship Wt | Frt Cls |
|-------|----------------------------------|-------|------------|-------|--------------|------------------------------|---------|------|---------|---------|
| | L1* | L2* | Volts++ | Amps | NEMA Plug | Volts++ | Amps*** | BTUH | | |
| G24F | 84 1/2 | ABOVE | 220/1/60** | 25.91 | NEMA 14-30 P | 220/1/60** | 1.66 | N/A | 0 | 110 |

++ Operating range for 120 volt rating is 110-120 volts; operating range for 220 volt rating is 208-230 volts.

** Requires 3 wires + ground

*** Does not include electric defrost on freezer models

REGULATORY APPROVALS

- ETL Listed Conforms to UL 471
- ETL Sanitation Conforms to NSF 7



Note: Information is subject to change at any time.

888 Porter Rd. Muskegon, MI 49441 Phone: 231.798.8888 Fax: 231.798.4960 www.structuralconcepts.com